

PENTOLE INDIRETTE 60Lt E900XP
BOILING PAN INDIRECT HEATING 60Lt E900XP

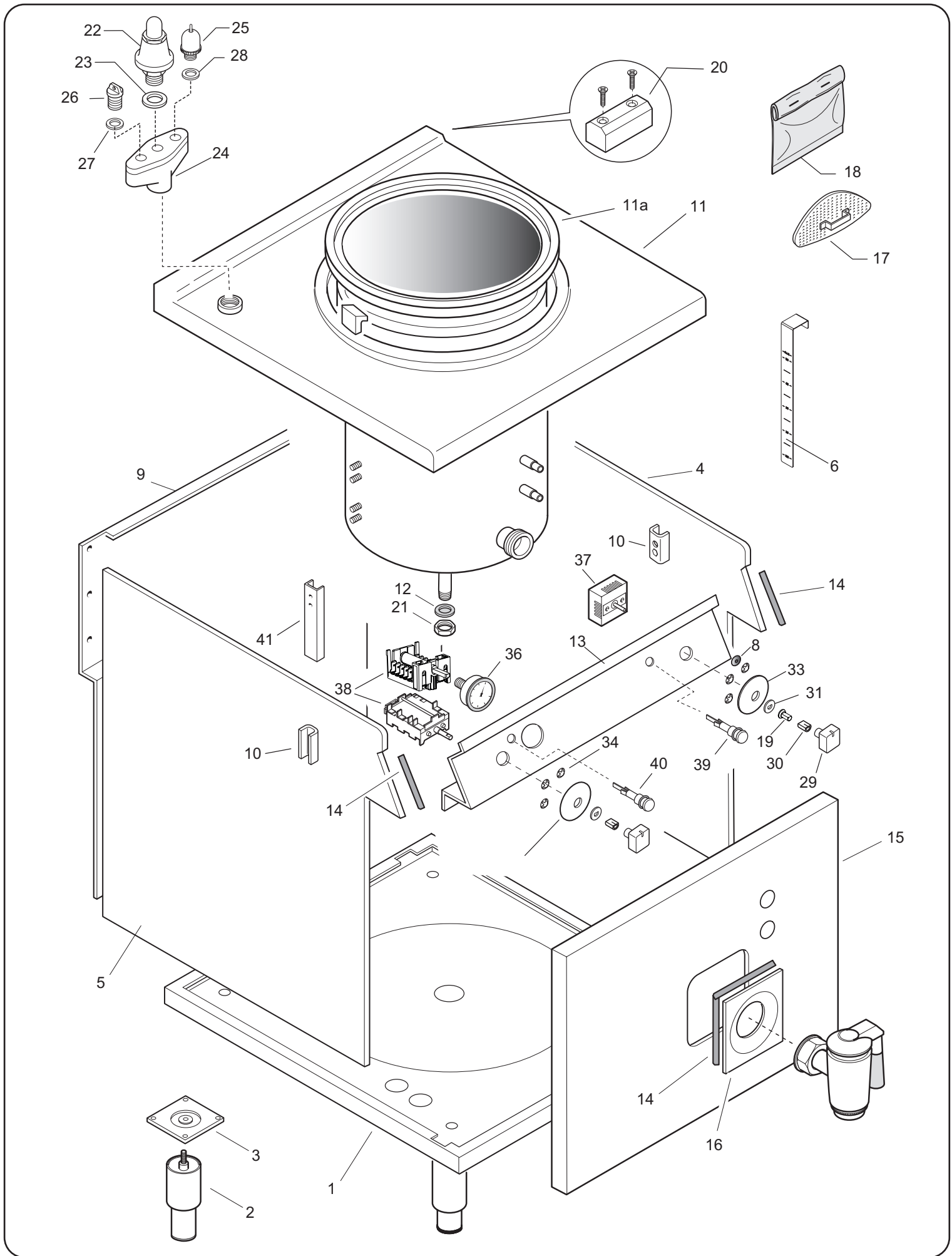
PNC	Model	Ref	Page	Brand	Version
391232	E9BSGHINF0	a	2...6	ELX	GAS
391233	E9BSEHINF0	b	2...6	ELX	EL
391234	E9BSGHIN40	b	2...6	ELX	GAS 60 Hz
392232	Z9BSGHINF0	c	2...6	ZAN	GAS
392233	Z9BSEHINF0	d	2...6	ZAN	EL
393232	A9BSGHINF0	e	2...6	OEM	GAS
393233	A9BSEHINF0	f	2...6	OEM	EL

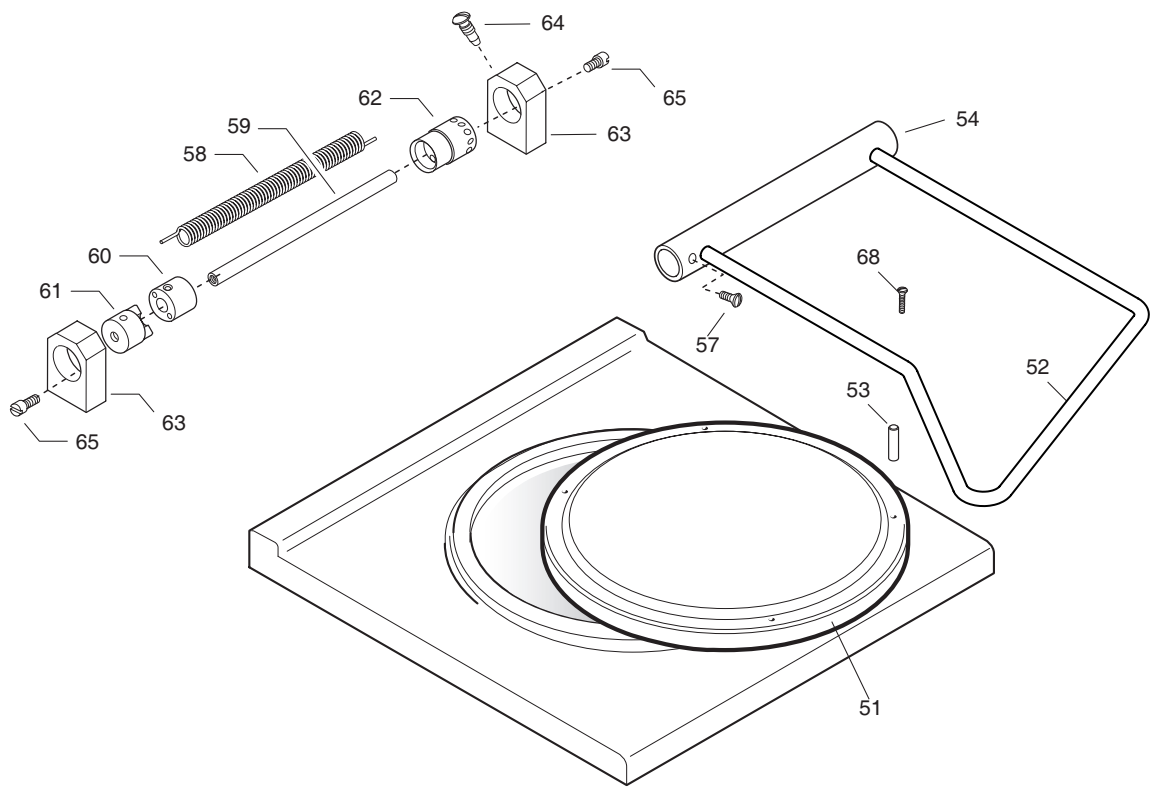
Index

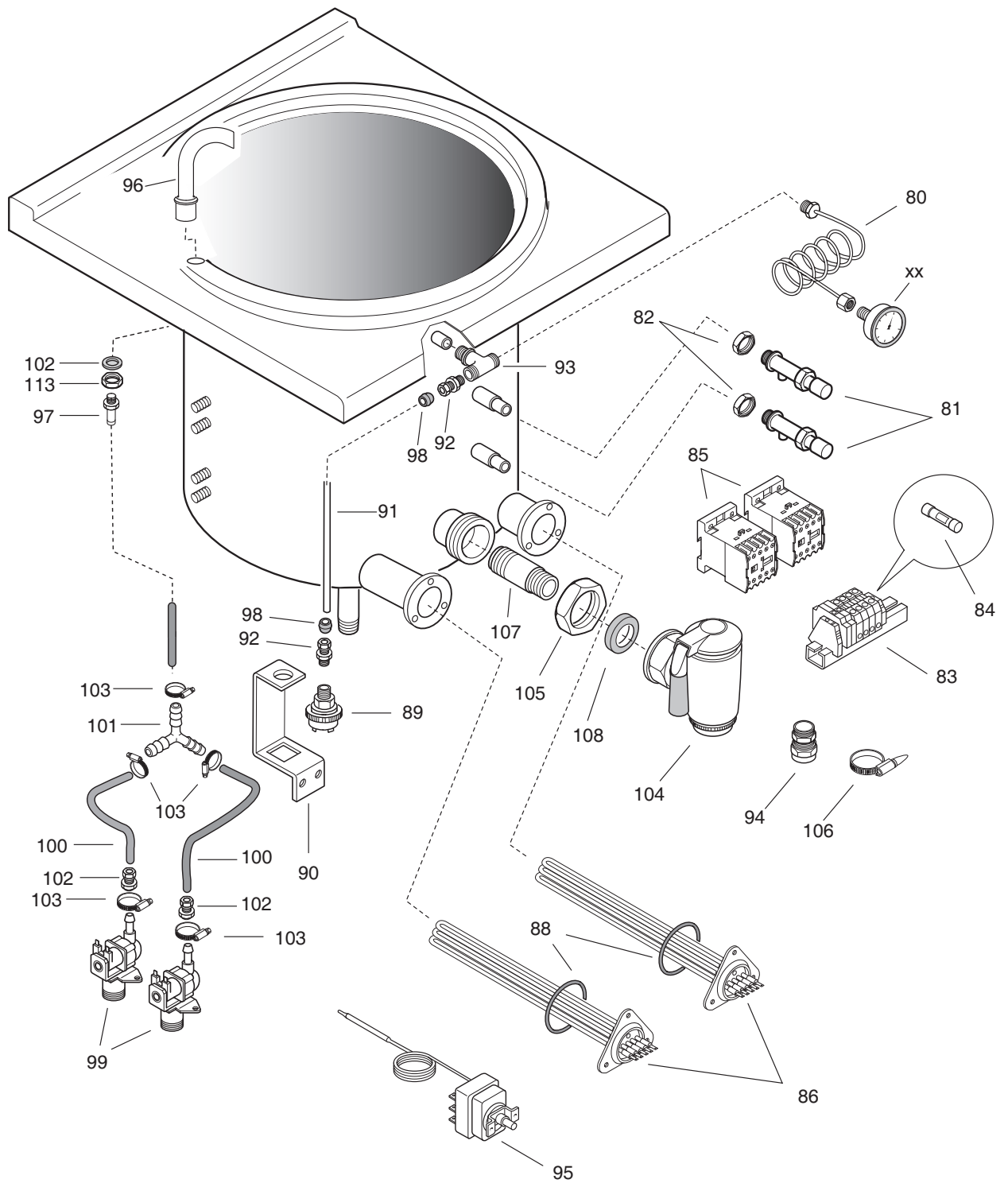
Components / Componenti	Page 2
Lid components / Componenti coperchio	3
Electric components up to wk 2022/29 / Componenti elettrici fino a wk 2022/29	4
Electric components from wk 2022/30 / Componenti elettrici fino da wk 2022/30	5
Gas components / Componenti gas	6
Pilot / Burner Nozzle / Tabelle ugelli	7
Spare parts list / Lista ricambi	8-11

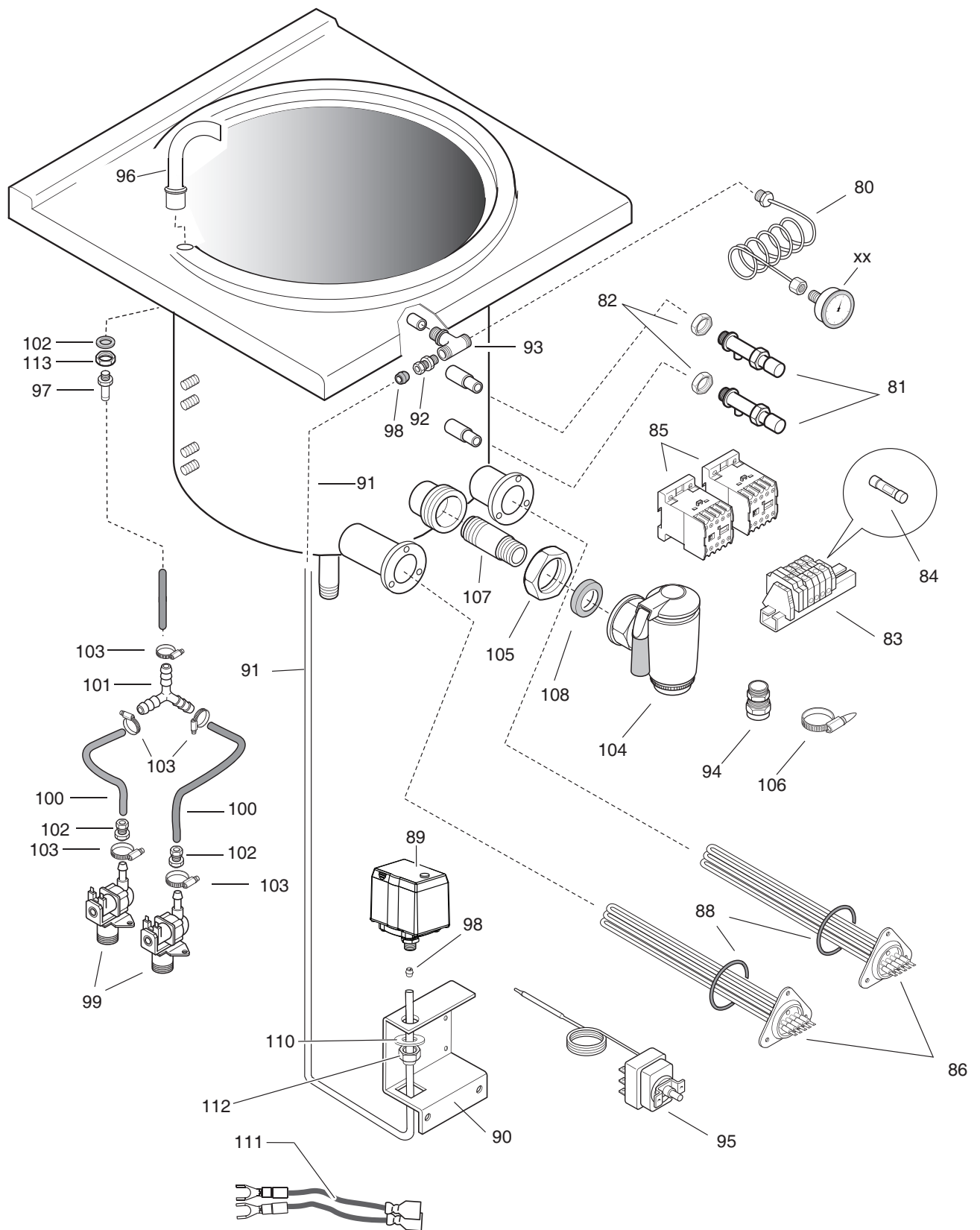
Bold=last change / Grassetto =ultima modifica

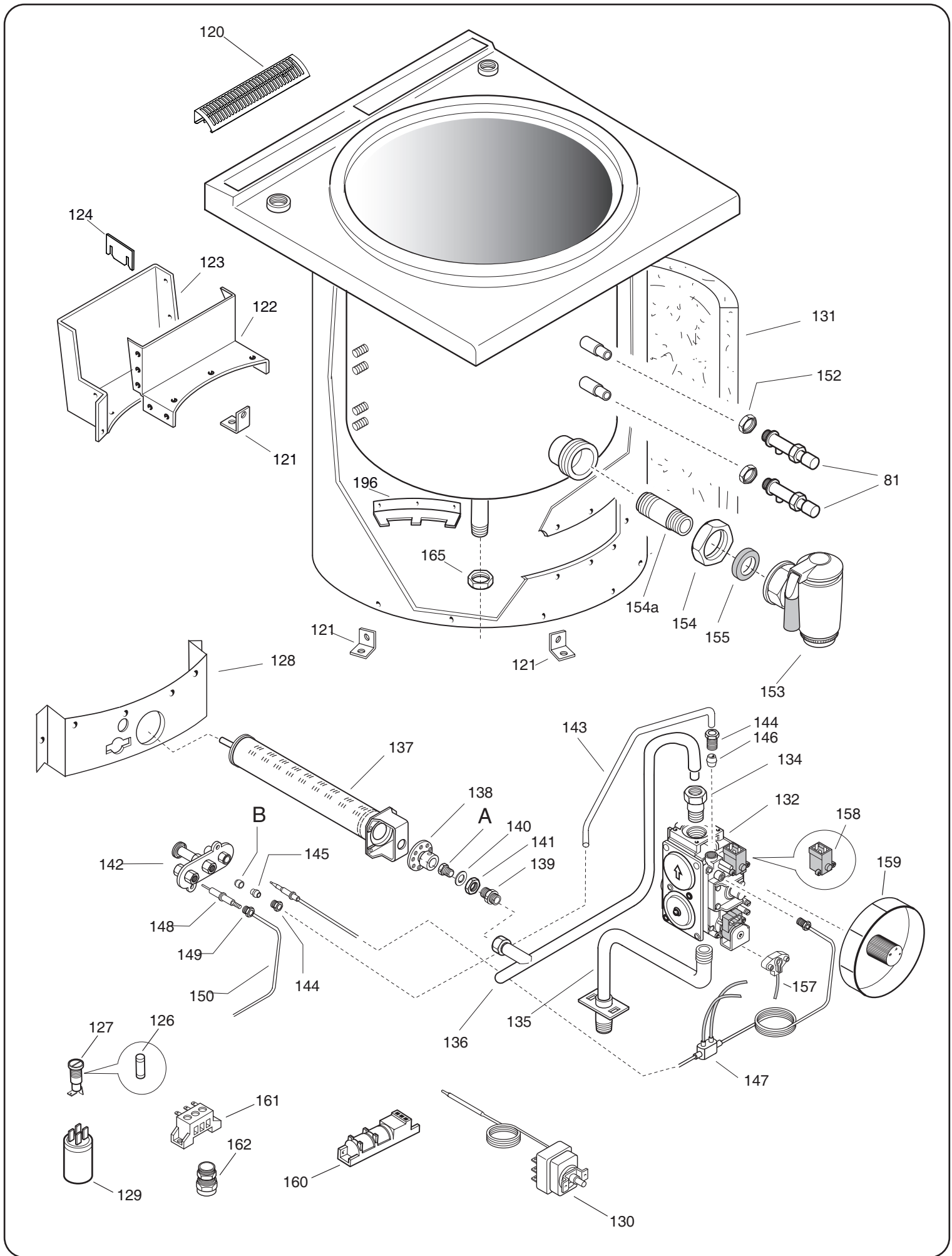
Rev. 4











A - Ugello bruciatore / Burner nozzle			
Spare part Code	Ref.	Notes	
0C0509	ø1.85	3+3B/P	G30 30mbar
003723	ø1.75	3B/P	G30 37mbar
002905	ø1.60	3B/P	G30 50mbar
006419	ø2.90	2H/2E+	G20 20mbar
0C0747	ø2.70	2H	G20 25mbar
054034	ø3.00	2L	G25 25mbar
0C0551	ø2.85	2K	G25.3 25mbar
0C0552	ø3.15	2ELL	G25 20mbar
054034	ø3.00	2S	G25.1 25mbar
059366	ø6.00	no CE	G110 8mbar

B - Ugello pilota / Pilot nozzle			
Spare part Code	Ref.	Notes	
053667	n°30	3+3B/P	G30 30mbar
053667	n°30	3B/P	G30 37mbar
053667	n°30	3B/P	G30 50mbar
053670	n°41	2H/2E+	G20 20mbar
053670	n°41	2H	G20 25mbar
053670	n°41	2L	G25 25mbar
053670	n°41	2K	G25.3 25mbar
053670	n°41	2ELL	G25 20mbar
053670	n°41	2S	G25.1 25mbar
053669	n°75	no CE	G110 8mbar

PENTOLE ELETTRICHE INDIRETTE 60Lt E900XP
ELECTRIC BOILING PAN INDIRECT HEATING 60Lt E900XP

Pos	Factory Code	Spare Code	Descrizione	Description	Ref./Notes
1	050489KF04	*	FONDO PENTOLE INDIRETTE	BOTTOM PANEL IND. BOILIN PAN	GAS
1	050489KG03	*	FONDO PENTOLE INDIRETTE	BOTTOM PANEL IND. BOILIN PAN	EL
2	0835856900	0C0204	PIEDE	FOOT	
3	050589CD00		PIASTRA RINFORZO PER PIEDE	PLATE FOR FOOT	
4	050389HJ00	0CB153	FIANCO DESTRO	RIGHT PANEL	ELX
4	050389HL00	0CB154	FIANCO DESTRO	RIGHT PANEL	ZAN, OEM
5	050389HH00	0CB151	FIANCO SINISTRO	LEFT PANEL	ELX
5	050389HK00	0CB152	FIANCO SINISTRO	LEFT PANEL	ZAN, OEM
6	050589N901	0CC039	ASTA TACCHE LIVELLI E CAPACITA'	MEASURING ROD	
8	0541813800	0C6171	RONDELLA IN SILICONE	SILICONE WASHER	
9	0538844801		SCHIENALE 800mm	REAR PANEL 800mm	
10	0527850500	0C0156	PIASTRA FISSAGGIO FIANCHI	SIDE PANEL JOINTING PLATE	
11	087089B601	0C7543	RIPIANO PENTOLA IND.60 Lt	SHELF, IND. BOILING PAN 60Lt	ELX - EL
11	087089B101	0C7538	RIPIANO PENTOLA IND.60 Lt	SHELF, IND. BOILING PAN 60Lt	ELX - GAS
11	087089FS01	0C7553	RIPIANO PENTOLA IND.60 Lt	SHELF, IND. BOILING PAN 60Lt	ZAN, OEM - EL
11	087089FK01	0C7546	RIPIANO PENTOLA IND.60 Lt	SHELF, IND. BOILING PAN 60Lt	ZAN, OEM - GAS
11a	0874880204	004867	ASSIEME PENTOLA	TANK 60Lt	EL
11a	0874853405		ASSIEME PENTOLA	TANK 60Lt	GAS
12	0246005123	0C3448	GUARNIZIONE SCARICO INTERCAP.	GASKET, DRAIN INTERSPACE	
13	085089BQ00	0C7535	CRUSCOTTO	CONTROL PANEL	ELX - EL
13	085089DM00	0C7537	CRUSCOTTO	CONTROL PANEL	ELX - GAS
13	087089GW00	0C7559	CRUSCOTTO	CONTROL PANEL	ZAN
13	050389TS00	0C8058	CRUSCOTTO	CONTROL PANEL	OEM
14	0543821900	0C2496	GUARNIZIONE CRUSCOTTO	GASKET, CONTROL PANEL	
15	050389Y500	0C7809	PANNELLO FRONTALE PENT.60LT	FRONT PANEL, 60Lt BOILING PAN	GAS Up to 2022/29
15	05038AD501	0CBAT6	PANNELLO FRONTALE PENT.60LT	FRONT PANEL, 60Lt BOILING PAN	GAS From 2022/30
15	050389Y600	0C7810	PANNELLO FRONTALE PENT.60LT	FRONT PANEL, 60Lt BOILING PAN	EL Up to 2022/29
15	05038AD601	0CBAT7	PANNELLO FRONTALE PENT.60LT	FRONT PANEL, 60Lt BOILING PAN	EL From 2022/30
16	0530800801	0C1575	PANNELLINO BOCCHETTONE	PANEL, DRAIN TAP	
17	0310122725	027114	GRIGLIA DI SCARICO	DRAIN GRID	
18	0858800100	006101	KIT ANTI-CORROSIONE (2pz.)	ANTICORROSIVE KIT (2 pcs.)	
19	0548877V00	0C7345	ADATTATORE MANOPOLA	KNOB ADAPTER	
20	0516860702	0C0137	PIASTRINA PER GIUNZIONE	JOINTING REAR PLATE	
21	0210360300	051717	DADO CIECO 1/2" SCARICO INTERC.	CAP NUT 1/2", DRAIN JACKET	
22	0835845101	004863	VALVOLA DI SICUREZZA	SAFETY VALVE	
23	0543804102	054807	GUARNIZIONE VALVOLA SICUREZZA	GASKET, SAFETY VALVE	
24	0210976402	054808	POLMONE PORTA VALVOLE	SIUPPORT, VALVE	
25	0335239101	051566	VALVOLA DEPRESSIONE	DEPRESSION VALVE	
26	0210362114	027297	TAPPO PER POLMONE	TAP, SUPPORT VALVE	
27	0246173500	027300	GUARNIZIONE TAPPO	GASKET, SUPPORT VALVE	
28	0246005123	060597	GUARNIZIONE VALVOLA DEPRESS.	GASKET, DEPRESSION VALVE	
29	0511850G01	0C6670	MANOPOLA	KNOB	ELX
*	0548877V00	0C7345	ADATTATORE MANOPOLA	KNOB ADAPTER	ELX
29	0548864302	0C3218	MANOPOLA X VALVOLA GAS	KNOB FOR GAS VALVE	ELX - GAS
29			MANOPOLA DIA 10	KNOB DIA 10	ZAN
29	0548878201	0C7232	MANOPOLA DIA 6	KNOB DIA 6	ZAN
29	0548864302	0C3218	MANOPOLA X VALVOLA GAS	KNOB FOR GAS VALVE	ZAN - GAS
29	0548865700	0C1380	MANOPOLA DIA 10	KNOB DIA 10	OEM
29	0548865500	0A5621	MANOPOLA DIA 6	KNOB DIA 6	OEM

PENTOLE ELETTRICHE INDIRETTE 60L E900XP
ELECTRIC BOILING PAN INDIRECT HEATING 60L E900XP

Pos	Factory Code	Spare Code	Descrizione	Description	Ref./Notes
29	0548864302	0C3218	MANOPOLA X VALVOLA GAS	KNOB FOR GAS VALVE	OEM - GAS
30	0214590701	025245	MOLLETTA PER MANOPOLA	SPRING FOR KNOB	
31	0543821000	053816	GUARNIZIONE PER MANOPOLA	GASKET, KNOB	
32	0548877B00	0C7526	GHIERA CARICO ACQUA	KNOB RING, WATER REFILL	ELX
32	0548877B00	0C7526	GHIERA CARICO ACQUA	KNOB RING, WATER REFILL	ZAN
32	0548879M00	0C7532	GHIERA CARICO ACQUA	KNOB RING, WATER REFILL	OEM
33	0548877G00	0C7230	GHIERA REGOLATORE DI ENERGIA	KNOB RING, ENERGY REGULATOR	ELX
33	0548879T00	0C7246	GHIERA REGOLATORE DI ENERGIA	KNOB RING, ENERGY REGULATOR	ZAN, OEM
34	0218912211	069567	MOLLETTA PER GHIERA	SPRING, KNOB RING	
36	0830895600	0C0712	MANOMETRO	MANOMETER	
37	0699802200	0C1605	REGOLATORE DI ENERGIA	ENERGY REGULATOR	
38	0641805401	0C9180	COMMUTATORE 4 POSIZIONI	SWITCH 4 POSITION	
39	0876800002	005010	LAMPADA VERDE	GREEN LAMP	
40	0876800201	0C0687	LAMPADA ROSSA	RED LAMP	
41	0543800200	052902	SQUADRETTA FISS. VASCA	BRACKET, FIX TANK	
51	0805899D00	0C6350	COPERCHIO PENTOLA	LID, BOILING PAN	
52	0805899F01	0C6343	MANIGLIA PENTOLA	HANDLE, LID	
53	0514897402	059525	DISTANZIALE PER MANIGLIA	SPACER FOR HANDLE	
57	0217224125	0C2776	VITE FERMO MOLLA / CERNIERA	SCREW, SPRING LOCK	
58	0514894501	059518	MOLLA	SPRING	
59	0514894802	059862	ASSE PER CERNIERA	PIN, HINGE	
60	0516804500	002982	FERMO PER MOLLA	LOCK, SPRING	
61	0514894303	059864	BLOCCO CERNIERA	LOCK, HINGE	
62	0516804601	002983	BLOCCO REGOLAZIONE MOLLA	LOCKNUT, ADJUSTING SPRING	
63	0511809402	*	SUPPORTO CERNIERA	SUPPORT, HINGE	
64	0514895003	059859	VITE PER SUPPORTO CERNIERA	SCREW, SUPPORT HINGE	
65	0514894701	059860	VITE PER ASSE CERNIERA	SCREW, PIN HINGE	
68	0217043125	0C3539	VITE MANIGLIA - COPERCHIO	SCREW, LID - HANDLE	
69	0167098086	003363	GRASSO PER PERNO COPERCHIO	GREASE FOR LID	
80	0830866802	059521	CAPILLARE PER MANOMETRO	CAPILLARY, MANOMETER	
81	0835866202	0C1450	RUBINETTO DI LIVELLO	TAP, LEVEL JACKET	
82	0516875001	0C1451	BORCHIETTA PER RUBINETTO	FIXING RING, TAP	
83	0639805900	059794	MORSETTIERA CON PORTAFUS.	MAIN TERMINAL	EL
84	0452140500	057783	FUSIBILE AUSILIARIO 4 A-250 V.	FUSE 4A - 250V	EL
85	0648807400	006879	CONTATTORE	CONTACTOR	EL
86	0617816000	002523	RESISTENZA 4.7KW 230V	HEATING ELEMENT 4.7kW 230V	EL up to 6441
86	0617839X01	0CA889	RESISTENZA 4.7KW 220/230V CON PORTABULBO	HEATING ELEMENT 4.7kW 220/230V with BULBHOLDER	EL from 6451 See TB PDX2017-03
88	0543800700	046213	GUARNIZIONE PER RESISTENZA	GASKET, HEATING ELEMENT	EL
89	646815500	0C4083	PRESSOSTATO	PRESSURE SWITCH	Up to 2022/29 Order 0CBAWG See TB PDX2022_02
89	646817T00	0CBAQV	PRESSOSTATO	PRESSURE SWITCH	From 2022/30
90	527842102	0C7083	SUPPORTO PRESSOSTATO	PLATE,PRESSURE SWITCH	Up to 2022/29
90	50589Q501	0CBAT8	SUPPORTO PRESSOSTATO	SUPPORT, PRESSURE SWITCH	From 2022/30
91	0517881100	0CB645	CONDUTTURA PRESSOSTATO	PIPE, PRESSURE SWITCH	Up to 2022/29
91	51589DK01	0CBASN	CONDUTTURA PRESSOSTATO	PIPE, PRESSURE SWITCH	From 2022/30
92	0515863500	0C0888	RACCORDO PER PRESSOSTATO	NIPPLE, PRESSURE SWITCH	
93	0511820700	0C1449	RACCORDO A T	T CONNECTION	EL
94	0544802300	0C0068	PRESSACAVO	TOGHTENER CORD	EL

PENTOLE ELETTRICHE INDIRETTE 60Lt E900XP
ELECTRIC BOILING PAN INDIRECT HEATING 60Lt E900XP

Pos	Factory Code	Spare Code	Descrizione	Description	Ref./Notes
95	0646809100	004862	TERMOSTATO DI SICUREZZA	SAFETY THERMOSTAT	
96	0831840902	0C4146	EROGATORE ACQUA	WATER DISTRIBUTOR	
97	0511829101	0C5100	RACCORDO A RESCA	PIPE JUNCTION	
98	51689A800	0CB036	BICONO DI TENUTA DIAM.6	DOUBLE CONE DIAM.6	
99	0696805700	0C3254	ELETTRORVALVOLA	MAGNETIC VALVE	
100	0140068008	002707	TUBO GOMMA CORAZZATO	FEEDING PIPE	
101	0544615700	047431	RACCORDO A Y	Y CONNECTION	
102	0543800600	052779	GUARNIZIONE OR	OR GASKET	
103	0835823600	*	FASCETTA	HOSE CLAMP	
104	0835832701	002520	RUBINETTONE, SCARICO	DRAIN TAP	
105	0517881000	0C1577	CONTRODADO X RUBINETTONE	LOCK NUT, DRAIN TAP	
106	0639810200	0C0717	FASCETTA PER FISS. CAVO ALIM.	HOSE CLAMP, FIXING CABLE	EL
107	0517880902	0C9014	PROLUNGA SCARICO	PIPE EXTENSION, DRAIN	
108	0543800200	052902	GUARNIZIONE SCARICO	GASKET, DRAIN	
109	0830895600	0C0712	MANOMETRO	MANOMETER	
110	0518817400	0C5030	WASHER Ø.13.9 X Ø.28 X AISI 430	RONDELLA Ø.13.9 X Ø.28 X AISI 430	From 2022/30
111	063889BG00	0CBAUA	CABLE ADAPTER FOR NEW PRESSOSTAT	CABLAGGIO ADATTATORE	From 2022/30
112	051689B100	0CBAT9	HEX NUT G1/4 F X NOSE CONE	DADO ESAGONALE G1/4 F	From 2022/30
113	0214110202	0C4595	DADO 1/2"	NUT 1/2"	
120	050389LP00	0C7333	GRIGLIA	GRID	
121	0508818601	0C0814	SQUADRETTA SUPP.TO CAMINO	CHIMNEY SUPPORT BRACKET	
122	0524897900	*	ELEMENTO ANT. CAMINO 60Lt	FRONT WALL CHIMNEY 60Lt	GAS
123	0524897801	*	ELEMENTO POST. CAMINO 60Lt	BACK WALL CHIMNEY 60Lt	GAS
124	0524898400	*	DISTANZIALE PER CAMINO	SPACER FOR CHIMNEY	GAS
125	0210360300	051717	DADO CIECO 1/2" SCAR. INTERC.	CAP NUT 3/4" DRAIN INTERSPACE	
126	0452140500	057783	FUSIBILE 4A 250V	FUSE, 4A 250V	
127	0652800401	056582	PORTAFUSIBILE	HOLDER, FUSE	
128	0502899003	*	SUPPORTO BRUC.-PILOTA	SUPPORT BURNER - PILOT	GAS
129	0694601000	046217	FILTRO ANTIDISTURBO	FILTER	
130	0646813200	0C0999	TERMOSTATO DI SICUREZZA	SAFETY THERMOSTAT	
131	0560850402	0CB325	PANNELLO ISOLANTE	INSULATION	
132	0835819901	002903	VALVOLA GAS	GAS VALVE	GAS
134	0830873200	002074	RACCORDO USCITA VALVOLA	NIPPLE, OUT VALVE	GAS
135	0805899H03	0C6379	TUBO ENTRATA GAS	INLET PIPE, GAS	GAS
136	0517881501	0C8065	RIBALTA 60Lt	PIPE , GAS VALVE - BURNER 60Lt	GAS
137	0830816204	004847	BRUCIATORE	BURNER	GAS
138	0830828001	054039	AREATORE REGOLAZIONE ARIA	AERATOR	GAS
139	0514829700	054118	PORTAUGELLO	NOZZLE HOLDER	GAS
140	0506833401	054029	GUARNIZIONE UGELLO	GASKET, NOZZLE	GAS
141	0214105101	020997	CONTRODADO PORTAUGELLO	LOCK NUT, NOZZLE HOLDER	GAS
142	0A05488001	0A2472	PILOTA	PILOT	GAS
143	0517881601	0C1576	CONDUTTURA PILOTA 60Lt	PILOT PIPE 60Lt	GAS
144	0214164400	052125	RACCORDO M10X1 DIAM 4	NIPPLE, M10X1 DIAM 4	GAS
145	0215199700	052127	BICONO SPEC.DA 4	BICONICAL RING, DIAM.4	GAS
146	0515827401	053665	BICONO DIAM.4	BICONICAL RING, DIAM.4	GAS
147	0831818901	0C3162	TERMOCOPPIA INTERROTTA	THERMOCOUPLE INT.	GAS
148	0330272401	052610	ELETTRODO DI ACCENSIONE	ELECTRODE, IGNITION	GAS
149	0214164101	057960	RACCORDO FISS. CANDELA	NIPPLE, ELECTRODE	GAS
152	0516875001	0C1451	BORCHIETTA PER RUBINETTO	FIXING RING, TAP	

PENTOLE ELETTRICHE INDIRETTE 60Lt E900XP
 ELECTRIC BOILING PAN INDIRECT HEATING 60Lt E900XP

Pos	Factory Code	Spare Code	Descrizione	Description	Ref./Notes
153	0835832701	002520	BOCCHETTONE SCARICO	DRAIN TAP	
154	0517881000	0C1577	CONTRODADO RUBINETTONE	LOCK NUT, DRAIN TAPE	
154a	0517880902	0C9014	PROLUNGA SCARICO	DRAIN PIPE	
155	0543800200	052902	GUARNIZIONE	GASKET, DRAIN TAPE	
156	0524898001	*	ANELLO CHIUSURA FUMI	RING	GAS
157	0830831400	054539	CONSENSO ACC. VALVOLA	MICRO VALVE	GAS
158	-	0K3020	BOBINA VALV. SIT 220/240V 50HZ	COIL GAS VAL. SIT 220/240V 50HZ	GAS
159	0548864302		MANOPOLA VALVOLA	GAS VALVE KNOB	GAS
160	0624804700	004240	ACCENDITORE	LIGHTER	GAS
161	0639804900	046357	MORSETTIERA	MAIN TERMINAL	GAS
162	0544802200	*	PRESSACAVO	TOGHTENER CORD	GAS

Electrolux Professional SpA
Viale Treviso, 15
33170 Pordenone, ITALY
Fax (+39) 0434 380 201
<https://www.electroluxprofessional.com>
<https://webgate.electroluxprofessional.com>